



MONTRIVER
Cuisine et Salle de Bain

2300 32e Ave. Lachine QC H8T 3H4
438-239-8808 438-239-8877

PRODUCTS MSRP

Jan 24, 2022

FRAMELESS CABINETS

sales@mont-river.ca

SCY (Saguenay Bay)
PCY (Percé Bay)

Solid Birch Wood Door in Off White Paint, Framelss Style
Solid Birch Wood Door in Titanium Gray Paint, Frameless Style

SINGLE DOOR SINGLE DRAWER BASE CABINET		MSRP		
Item Code	DESCRIPTION	SCY	PCY	
	B12	BASE 12"W x 34.5"H x 24"D- 1D-1DRA-1S		
	B15	BASE 15"W x 34.5"H x 24"D- 1D-1DRA-1S		
	B18	BASE 18"W x 34.5"H x 24"D- 1D-1DRA-1S		
	B21	BASE 21"W x 34.5"H x 24"D- 1D-1DRA-1S		
			1 Door 1 Drawer 1 Shelf	
DOUBLE DOOR SINGLE DRAWER BASE CABINET				
Item Code	DESCRIPTION			
	B24	BASE 24"W x 34.5"H x 24"D- 2D-1DRA-1S		
	B27	BASE 27"W x 34.5"H x 24"D- 2D-1DRA-1S		
	B30	BASE 30"W x 34.5"H x 24"D- 2D-1DRA-1S		
			2 Door 1 Drawer 1 Shelf	
DOUBLE DOOR DOUBLE DRAWER BASE CABINET				
Item Code	DESCRIPTION			
	B33	BASE 33"W x 34.5"H x 24"D- 2D-2DRA-1S		
	B36	BASE 36"W x 34.5"H x 24"D- 2D-2DRA-1S		
			2 Door 2 Drawer 1 Shelf	
DRAWER BASE CABINET				
Item Code	DESCRIPTION			
	DB12	DRAWER BASE 12"W x 34.5"H x 24"D -3DRA		
	DB15	DRAWER BASE 15"W x 34.5"H x 24"D -3DRA		
	DB18	DRAWER BASE 18"W x 34.5"H x 24"D -3DRA		
	DB21	DRAWER BASE 21"W x 34.5"H x 24"D -3DRA		
	DB24	DRAWER BASE 24"W x 34.5"H x 24"D -3DRA		
	DB30	DRAWER BASE 30"W x 34.5"H x 24"D -3DRA		
SINK BASE CABINET				
Item Code	DESCRIPTION			
	SB30	SINK BASE 30" W x 34.5"H x 24"D		
			2 Door 1 Drawer Front	
	SB33	SINK BASE 33" W x 34.5"H x 24"D		



MONTRIVER
Cuisine et Salle de Bain

2300 32e Ave. Lachine QC H8T 3H4
438-239-8808 438-239-8877

PRODUCTS MSRP

Jan 24, 2022

FRAMELESS CABINETS

sales@mont-river.ca

SCY (Saguenay Bay)
PCY (Percé Bay)

Solid Birch Wood Door in Off White Paint, Frameless Style
Solid Birch Wood Door in Titanium Gray Paint, Frameless Style

	SB36	SINK BASE 33" W x 34.5"H x 24"D		
		2 Door 2 Drawer Front		
LAZY SUSAN CORNER BASE CABINET				
	Item Code	DESCRIPTION		
		BLS33	33 X 34.5 X 24	
		BLS36	36 X 34.5 X 24	
		1 Bi-Fold Door 2 Wood Turning Tray		
LAZY SUSAN CORNER BASE CABINET, WITH SHELVES, NO BASKET				
	Item Code	DESCRIPTION		
		EZR36	36 X 34.5 X 24	
		1 Bi-Fold Door, with shelves No Wood Turning Tray		
BLIND CORNER BASE CABINET				
	Item Code	DESCRIPTION		
		BBC36-42-FH	Base Blind Corner 36"W x 24"D x 34.5"H	
		1 Door 1 Shelf ## (1 FULL HEIGHT DOOR)		
SPIGE PULLOUT BASE CABINET				
	Item Code	DESCRIPTION		
		BPP09	Base Spicy Rack 9"W x 34.5"H x 24"D	
		2 Level		
FULL HEIGHT DOOR BASE				
	Item Code	DESCRIPTION		
		B09FH	Full Door base 9"W x 34.5"H x 24"D --1D-2S	
		B27FH	Full Door Base 27"W x 34.5"H x 24"D --2D-2S	
		Full height door, 2 shelves		



MONTRIVER
Cuisine et Salle de Bain

2300 32e Ave. Lachine QC H8T 3H4
438-239-8808 438-239-8877

PRODUCTS MSRP

Jan 24, 2022

FRAMELESS CABINETS

sales@mont-river.ca

SCY (Saguenay Bay)
PCY (Percé Bay)

Solid Birch Wood Door in Off White Paint, Framelss Style
Solid Birch Wood Door in Titanium Gray Paint, Frameless Style

		B27FH: designed for base corner of PENINSULA design	
39" HIGH SINGLE DOOR WALL CABINET			
	Item Code	DESCRIPTION	
	W0939	WALL CABINET 9"W x 39"H x 12"D-1D-2S	
	W1239	WALL CABINET 12"W x 39"H x 12"D-1D-2S	
	W1539	WALL CABINET 15"W x 39"H x 12"D-1D-2S	
	W1839	WALL CABINET 18"W x 39"H x 12"D-1D-2S	
	W2139	WALL CABINET 21"W x 39"H x 12"D-1D-2S	
		SINGLE DOOR, 2 SHELVES	
39" HIGH DOUBLE DOOR WALL CABINET			
	Item Code	DESCRIPTION	
	W2439	WALL CABINET 24"W x 39"H x 12"D-2D-2S	
	W2739	WALL CABINET 27"W x 39"H x 12"D-2D-2S	
	W3039	WALL CABINET 30"W x 39"H x 12"D-2D-2S	
	W3339	WALL CABINET 33"W x 39"H x 12"D-2D-2S	
	W3639	WALL CABINET 36"W x 39"H x 12"D-2D-2S	
		2 DOORS, 2 SHELVES	
DOUBLE DOOR WALL BRIDGE CABINET			
	Item Code	DESCRIPTION	
	W3018	WALL 30"W x 18"H x 12"D- 2D	
	W2421	WALL 24"W x 21"H x 12"D- 2D	
	W2721	WALL 27"W x 21"H x 12"D- 2D	
	W3021	WALL 30"W x 21"H x 12"D- 2D	
	W3024	WALL 30"W x 24"H x 12"D- 2D-1S	
	W3324	WALL 33"W x 24"H x 12"D- 2D-1S	
W3624	WALL 36"W x 24"H x 12"D- 2D-1S		
DOUBLE DOOR WALL DEEP BRIDGE CABINET			
	Item Code	DESCRIPTION	
	W302124	WALL 30"W X 21"H X 24"D-2D	
	W332124	WALL 33"W X 21"H X 24"D-2D	
	W361824	WALL 36"W X 18"H X 24"D-2D	
	W362124	WALL 36"W X 21"H X 24"D-2D	
WALL DIAGONAL CORNER CABINET			
	Item Code	DESCRIPTION	
	WDC2439	WALL DIAGONAL CORNER 24"W X 39"H X 12"D	



MONTRIVER
Cuisine et Salle de Bain

2300 32e Ave. Lachine QC H8T 3H4
438-239-8808 438-239-8877

PRODUCTS MSRP

Jan 24, 2022

FRAMELESS CABINETS

sales@mont-river.ca

SCY (Saguenay Bay)
PCY (Percé Bay)

Solid Birch Wood Door in Off White Paint, Frameless Style
Solid Birch Wood Door in Titanium Gray Paint, Frameless Style

✓		1 DOOR, 2 SHELVES		
WALL MICROWAVE SHELF CABINET				
	Item Code	DESCRIPTION		
	WMC24	WALL 24"W X 18"H X 12"D- 1S		
	1 Open shelf for microwave. Shelf 18" deep.			
BASE MICROWAVE CABINET				
	Item Code	DESCRIPTION		
	BMC24	BASE 24"W x 34.5"H x 24"D- 2D-1DRA		
WALL CABINET GLASS DOOR				
	Item Code	DESCRIPTION		
	W1239GD	WALL GLASS DOOR		
	W1539GD	WALL GLASS DOOR		
	W1839GD	WALL GLASS DOOR		
	W3039GD-2	WALL GLASS DOOR -2GD/PKG		
TALL PANTRY				
	Item Code	DESCRIPTION		
	PC1893	PANTRY 18"W X 93"H X 24"D-5S		
	PC2493	PANTRY 24"W X 93"H X 24"D-5S		
	PC3093	PANTRY 30"W X 93"H X 24"D-5S		
BASE END PANEL				
	Item Code	DESCRIPTION		
	DWR	D/W PANEL 1/2" W x 34.5" H x 24"D with 3" wood return		
REFRIGERATOR END PANEL AND BASE BACK PANEL				
	Item Code	DESCRIPTION		
	B-PNL24-7/8*36	24-7/8"x36x3/4",paint 2 sides,4 edge band		



MONTRIVER
Cuisine et Salle de Bain

2300 32e Ave. Lachine QC H8T 3H4
438-239-8808 438-239-8877

PRODUCTS MSRP

Jan 24, 2022

FRAMELESS CABINETS

sales@mont-river.ca

SCY (Saguenay Bay)
PCY (Percé Bay)

Solid Birch Wood Door in Off White Paint, Framelss Style
Solid Birch Wood Door in Titanium Gray Paint, Frameless Style

	R-PNL25-1/2*96	25-1/2"x96"x3/4", paint 2 sides, 4 edge band		
	RRP96	Refrigerator end panel 1/2"W x 96"H x 24"D with 3" RETRUN		
	BP3696	BASE BACK PANEL 36" x 96" x 1/4" THICK		
BP3696, BP4896 1/4" thick panel				
TOE KICK				
	Item Code	DESCRIPTION		
	TK8	TOE KICK 96" X 4.5" X 1/8"		
WALL FILLER				
	Item Code	DESCRIPTION		
	WF342	3 X 42 X 3/4		
TALL FILLER				
	Item Code	DESCRIPTION		
	TF396	3 X 96 X 3/4		
	TF696	6 X 96 X 3/4		
CROWN MOLDING				
	Item Code	DESCRIPTION		
	CMS-2	Crown molding wood 2"W x 96"L -Shaker design		
	CMS-3	Crown molding wood 3"W x 96"L -Shaker design		
LIGHT RAIL MOLDING				
	Item Code	DESCRIPTION		
	RPMC	Wooden Rabbeted light rail molding 96"		
BASE MOLDING				
	Item Code	DESCRIPTION		
	BSM	BASE MOLDING 96" X 4.5" X 3/4" Shaker Design		
			Shaker Design	
OUTSIDE CORNER MOLDING				



MONTRIVER
Cuisine et Salle de Bain

2300 32e Ave. Lachine QC H8T 3H4
438-239-8808 438-239-8877

PRODUCTS MSRP







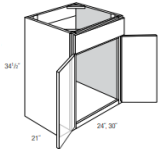

Jan 24, 2022

FRAMELESS CABINETS

sales@mont-river.ca

SCY (Saguenay Bay)
PCY (Percé Bay)

Solid Birch Wood Door in Off White Paint, Frameless Style
Solid Birch Wood Door in Titanium Gray Paint, Frameless Style

	Item Code	DESCRIPTION		
	OCM8	96 X 3/4 X 3/4		
SCRIBE MOLDING				
	Item Code	DESCRIPTION		
	SM8	Scribe Molding 96" X 3/4" X 1/4"		
Quarter Round Molding				
	Item Code	DESCRIPTION		
	QR8	Shoe molding 96"x 3/4" x 1/2"		
BASE DECORATIVE DUMMY DOOR				
	Item Code	DESCRIPTION		
	BDE2430	Base Decorative door 24"W X 30"H X 3/4"D		
WALL DECORATIVE DUMMY DOOR				
	Item Code	DESCRIPTION		
	WDEC1230	Wall Decorative door 12"W X 30"H X 3/4"D		
	WDEC1239	Wall Decorative door 12"W X 39"H X 3/4"D		
SAMPLE DOOR				
	Item Code	DESCRIPTION		
	SD	Sample door 12-3/4"W X 15-3/4"H X 3/4"D		
DOUBLE DOOR VANITY CABINET				
	Item Code	DESCRIPTION		
	V2421	24 X 34.5 X 21		
	V3021	30 X 34.5 X 21		
	2 Door 1 Drawer Front			
SINGLE DOOR DOUBLE DRAWER VANITY CABINET				
	Item Code	DESCRIPTION		
	V3021D-L	30 X 34.5 X 21		
1 Door 2 Drawer. Door on right.				



MONTRIVER
Cuisine et Salle de Bain

2300 32e Ave. Lachine QC H8T 3H4
438-239-8808 438-239-8877

SCY (Saguenay Bay)
PCY (Percé Bay)

PRODUCTS MSRP

Jan 24, 2022

FRAMELESS CABINETS

sales@mont-river.ca

Solid Birch Wood Door in Off White Paint, Frameless Style
Solid Birch Wood Door in Titanium Gray Paint, Frameless Style

	Item Code	DESCRIPTION		
	V3021D-R	30 X 34.5 X 21		
1 Door 2 Drawer. Door on left.				
DOUBLE DOOR DOUBLE DRAWER VANITY CABINET				
	Item Code	DESCRIPTION		
	V3621D-L	36 X 34.5 X 21		
Door 2 Drawer. Door on right.				
	Item Code	DESCRIPTION		
	V3621D-R	36 X 34.5 X 21		
Door 2 Drawer. Door on left.				
	Item Code	DESCRIPTION		
	V4821D	48 X 34.5 X 21		
2 Door 7 Drawer(INC. 6 working drawers)				
VANITY LINEN CLOSET				
	Item Code	DESCRIPTION		
	LC1884	Linen Closet 18"W x 84"H x21"D		
1 upper door, 3 drawers				
THREE DRAWER VANITY CABINET				
	Item Code	DESCRIPTION		
	VDB1221	12 X 34.5 X 21		
	VDB1521	15 X 34.5 X 21		
	VDB1821	18 X 34.5 X 21		
3 working drawers				